

# Q1 | Kameleon Q Series

## Remote Control Panel RCP-KQ1



### Features

- ▶ 17 Backlit Graphic LCD assignable keys
- ▶ Menu driven and single key configurations
- ▶ Fast and Simple to reconfigure for changing setups
- ▶ 8 backlight colours
- ▶ 255 Sources and 255 Destinations
- ▶ Access to the machine control layer
- ▶ Downloadable setup
- ▶ RS-485 communication to CPU
- ▶ Flash based Firmware
- ▶ Low power consumption (10W)
- ▶ Compact size (1RU)

The Q series Kameleon is the new generation of professional, streamlined Control Panel. Integrating the latest RISC technology has produced an advanced and intuitive interface which incorporates the classic Kameleon functions with added features and flexibility.

Utilising 17 Coloured Backlit Graphic LCD keys with 40 available menus you can instantly navigate through the system with few key presses. The press of one key in the Main Menu opens a sub-menu, which refreshes the panel keys with new functions and labels. This flexibility and ease of use reinforces the Talia Q1 Control Panel's leading edge approach.

Assignment of navigation keys speeds the movement between menus. Custom key labels (up to 10 characters across 2 lines), icons and colours can also be defined by the user for instant recognition of any key function. The keys are composed from a range of colours and switch functions downloaded via the Geneos GUI. Using Geneos to configure the panels eliminates unauthorized or accidental reprogramming.

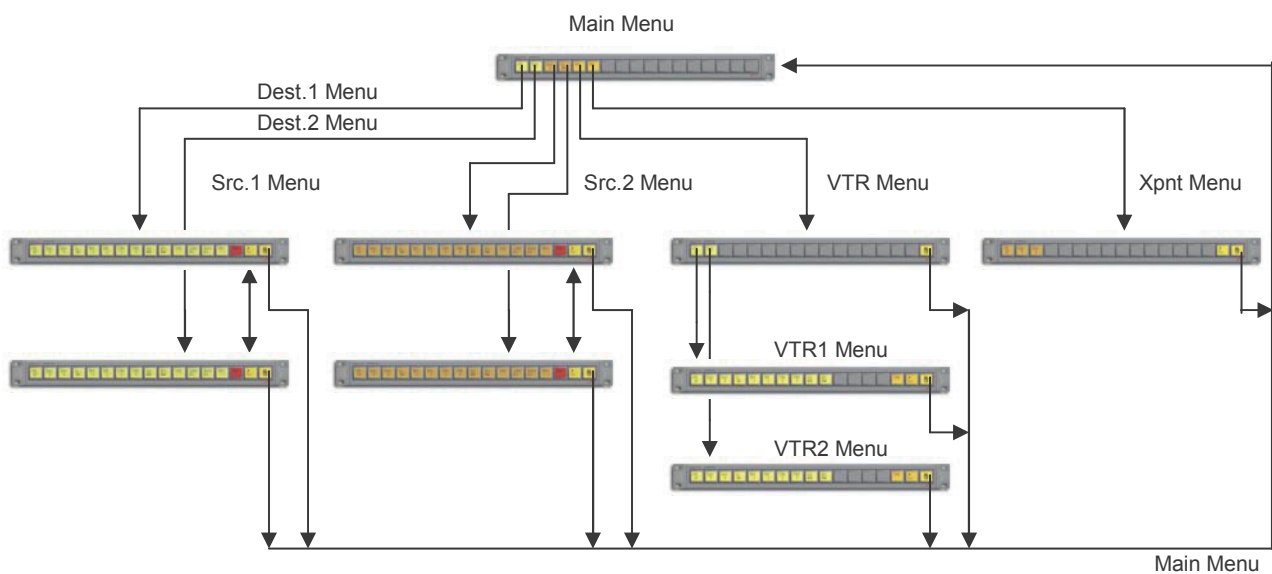
The Q1 Control Panel is ideal for use on Outside Broadcast trucks or in production houses where configurations constantly change. It is equally as useful in studios where the unlimited configurations allow for fast & simple customized setups of each panel.

Flash based firmware means that there is no need to ever change an EPROM when upgrading.

## Key Functions

- ▶ Breakaway
- ▶ Breakaway Step
- ▶ Chop
- ▶ Clear
- ▶ Crosspoint
- ▶ Destination
- ▶ Destination Mode
- ▶ Enter
- ▶ Label
- ▶ Level
- ▶ MC/Res. De-allocate
- ▶ MC On/Off
- ▶ Mnemonic
- ▶ Keypad Numeral Digits 0-9
- ▶ Protect
- ▶ Salvo
- ▶ Salvo Mode
- ▶ Source
- ▶ Shift
- ▶ Take

## Example Menu Setup



## Technical Specifications

INTERFACE	
<b>Connection</b>	2 x RJ-45 passive loop connectors (female)
<b>Electrical Standard</b>	RS-485
GENERAL	
<b>Configuration</b>	Geneos Software (version 3 or above)
<b>Dimensions</b>	1RU x 44 mm deep
<b>Weight</b>	1.18Kg
<b>Operating Temperature</b>	0–40 °C
<b>Power Supply</b>	Extended Plug Pack 5V @ 2A
<b>Power Consumption</b>	11W max. inc. Plug Pack

Specifications subject to change without prior notice.